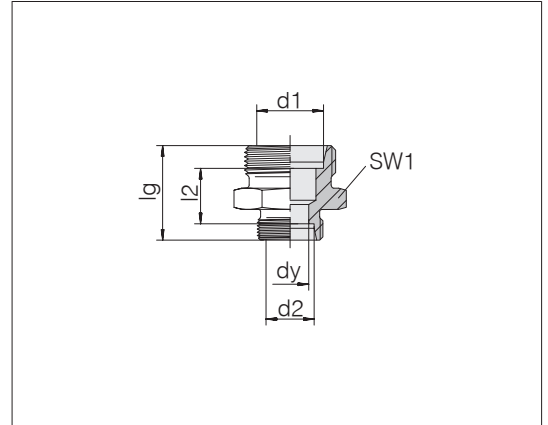


Straight reducers

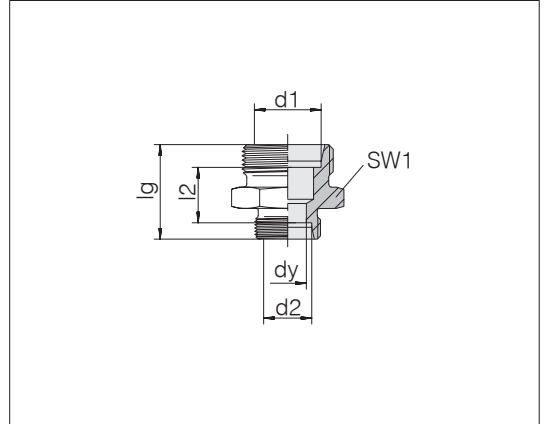
Tube coupling: 24° in acc. with ISO 8434-1



Series Tube OD d1	Series Tube OD d2	Pressure	dy	lg	l2	SW1	kg/100 ca.	Order-No.	Designation
LL 6	LL 4	PN 100	3	20	10.5	11	0.7	0711122000	24-S-LL6-LL4
LL 8	LL 4	PN 100	3	22	12.5	12	0.9	0711182000	24-S-LL8-LL4
LL 8	LL 6	PN 100	4.5	22	11	12	1.1	0711192000	24-S-LL8-LL6
L 8	L 6	PN 500	4	25	11	14	1.5	0712062000	24-S-L8-L6
L 10	L 6	PN 500	4	26	12	17	2.0	0712122000	24-S-L10-L6
L 10	L 8	PN 500	6	26	12	17	2.1	0712112000	24-S-L10-L8
L 12	L 6	PN 400	4	27	13	19	2.5	0712182000	24-S-L12-L6
L 12	L 8	PN 400	6	27	13	19	2.6	0712172000	24-S-L12-L8
L 12	L 10	PN 400	8	28	14	19	2.7	0712162000	24-S-L12-L10
L 15	L 6	PN 400	4	28	14	24	3.8	0712242000	24-S-L15-L6
L 15	L 8	PN 400	6	28	14	24	4.0	0712232000	24-S-L15-L8
L 15	L 10	PN 400	8	29	15	24	4.1	0712222000	24-S-L15-L10
L 15	L 12	PN 400	10	29	15	24	4.2	0712212000	24-S-L15-L12
L 18	L 8	PN 400	6	29	14.5	27	6.0	0712292000	24-S-L18-L8
L 18	L 10	PN 400	8	30	15.5	27	5.6	0712282000	24-S-L18-L10
L 18	L 12	PN 400	10	30	15.5	27	5.7	0712272000	24-S-L18-L12
L 18	L 15	PN 400	12	31	16.5	27	6.1	0712262000	24-S-L18-L15
L 22	L 10	PN 250	8	32	17.5	32	7.5	0712342000	24-S-L22-L10
L 22	L 12	PN 250	10	32	17.5	32	7.6	0712332000	24-S-L22-L12
L 22	L 15	PN 250	12	33	18.5	32	8.1	0712322000	24-S-L22-L15
L 22	L 18	PN 250	15	33	18	32	8.6	0712312000	24-S-L22-L18
L 28	L 10	PN 250	8	33	18.5	41	12.2	0711822000	24-S-L28-L10
L 28	L 15	PN 250	12	34	19.5	41	12.2	0712382000	24-S-L28-L15
L 28	L 18	PN 250	15	34	19	41	12.3	0712372000	24-S-L28-L18
L 28	L 22	PN 250	19	36	21	41	13.2	0712362000	24-S-L28-L22
L 35	L 22	PN 250	19	39	21	46	19.0	0712422000	24-S-L35-L22
L 35	L 28	PN 250	24	39	21	46	19.0	0712412000	24-S-L35-L28
L 42	L 28	PN 250	24	41	22.5	55	26.8	0712472000	24-S-L42-L28
L 42	L 35	PN 250	30	43	21.5	55	29.3	0712462000	24-S-L42-L35

Straight reducers

Tube coupling: 24° in acc. with ISO 8434-1



Series Tube OD d1	Series Tube OD d2	Pressure	dy	lg	l2	SW1	kg/100 ca.	Order-No.	Designation
S 8	S 6	PN 800	4	32	18	17	3.4	0712562000	24-S-S8-S6
S 10	S 6	PN 800	4	32	17.5	19	4.0	0712622000	24-S-S10-S6
S 10	S 8	PN 800	5	32	17.5	19	4.2	0712612000	24-S-S10-S8
S 12	S 6	PN 630	4	34	19.5	22	5.4	0712682000	24-S-S12-S6
S 12	S 8	PN 630	5	34	19.5	22	5.6	0712672000	24-S-S12-S8
S 12	S 10	PN 630	7	34	19	22	5.8	0712662000	24-S-S12-S10
S 14	S 10	PN 630	7	36	20.5	24	6.9	0712722000	24-S-S14-S10
S 14	S 12	PN 630	8	36	20.5	24	7.0	0712712000	24-S-S14-S12
S 16	L 12	PN 400	10	35	19.5	27	7.7	0711982000	24-S-S16-L12
S 16	L 15	PN 400	12	36	20.5	27	7.9	0799632000	24-S-S16-L15
S 16	S 8	PN 630	5	36	20.5	27	7.8	0712792000	24-S-S16-S8
S 16	S 10	PN 630	7	36	20	27	7.9	0712782000	24-S-S16-S10
S 16	S 12	PN 630	8	36	20	27	8.0	0712772000	24-S-S16-S12
S 16	S 14	PN 630	10	38	21.5	27	8.7	0712762000	24-S-S16-S14
S 20	L 15	PN 400	12	40	22.5	32	13.9	0796222000	24-S-S20-L15
S 20	S 10	PN 420	7	40	22	32	12.2	0712842000	24-S-S20-S10
S 20	S 12	PN 420	8	40	22	32	12.5	0712832000	24-S-S20-S12
S 20	S 14	PN 420	10	42	23.5	32	12.9	0712822000	24-S-S20-S14
S 20	S 16	PN 420	12	42	23	32	12.9	0712812000	24-S-S20-S16
S 25	S 16	PN 420	12	46	25.5	41	22.0	0712872000	24-S-S25-S16
S 25	S 20	PN 420	16	48	25.5	41	23.2	0712862000	24-S-S25-S20
S 30	S 20	PN 420	16	50	26	46	29.4	0712922000	24-S-S30-S20
S 30	S 25	PN 420	20	52	26.5	46	31.1	0712912000	24-S-S30-S25
S 38	S 25	PN 420	20	57	29	55	48.2	0712972000	24-S-S38-S25
S 38	S 30	PN 420	25	59	29.5	55	48.8	0712962000	24-S-S38-S30